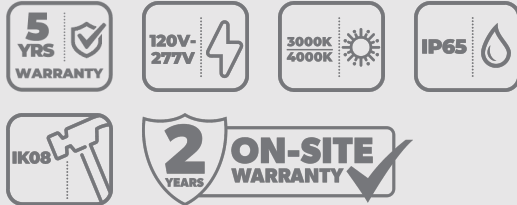




# GUARD BOLLARD

## ARCHITECTURAL BOLLARDS

Guard Architectural Bollards are stylish and robust. Available in 4 interchangeable heads. Ideal for walkways, entrance ways, drives and other small-area lighting applications where low mounting heights are desirable.



### Features

- Attractive architectural Design
- Selectable Power
- CCT Selectable
- 5 Year Warranty
- Durable powder coat finish

### Specification

Code	Description	Lumen Output	Emergency Lumen Output	Wattage	Efficacy
GRD24A-DC-CCT	Guard Bollard Dome Head Cone Anthracite 24W 2CCT	2100lm   2850lm   3600lm		14W   19W   24W	150 lm/w

### Product Information

Warranty	5 Years
On-Site Warranty	2 Years
Colour Appearance (CCT)	3000K   4000K
IP Rating	IP65
IK Rating	IK08
Voltage	120-277V
Material (Body/Housing)	Aluminium
Material (Diffuser/Cover)	Polycarbonate
Colour Rendition (CRI)	Ra >70

Colour Finish	Anthracite RAL7016
LED Life Expectancy	L70B50 54,000 Hours
Power Factor	0.9
Frequency	50/60Hz
Driver Type	Fixed
Approval	UKCA CE
Electrical Class	Class I
Working Temperature	-20°C to 50°C



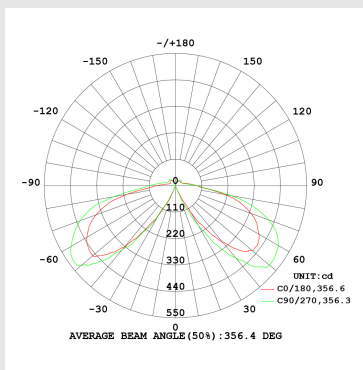
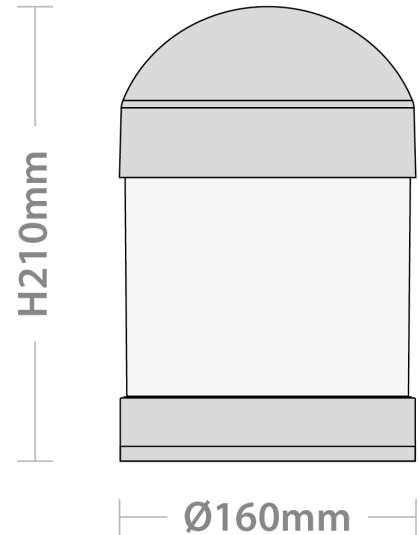
# GUARD BOLLARD

## ARCHITECTURAL BOLLARDS

### Packaging Information

Dimensions (mm)	L: 210 X W: 160 Ø
Product Net Weight (kg)	2 kg
Barcode	5055807626248
Box Dimensions (mm)	L: 205 x W:205 x D: 385 mm
Box Gross Weight (kg)	2.31 kg

Units/Outer Carton	4
Outer Carton Barcode	15055807626245
Outer Carton Dimensions (mm)	L: 430 x W: 430 x D: 405 mm
Outer Carton Gross Weight (kg)	10.1 kg



**ENERGY**  
 Red Arrow  
 Cone Head

A  
 B  
 C  
 D  
 E  
 F  
 G

**D**

24  
 kWh/1000h